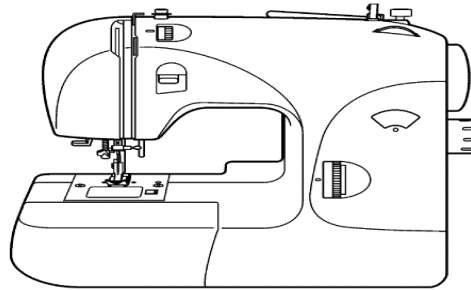


REFER TO IMPORTANT NOTICE BELOW

**PARTS LIST
FOR
Model 118**

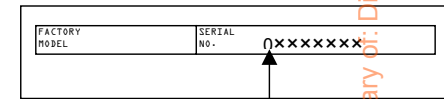


SINGER®
AT HOME WORLDWIDE

IMPORTANT:

WHEN ORDERING THE PARTS
ALWAYS CHECK THE SERIAL
NUMBER OF THE MACHINE.

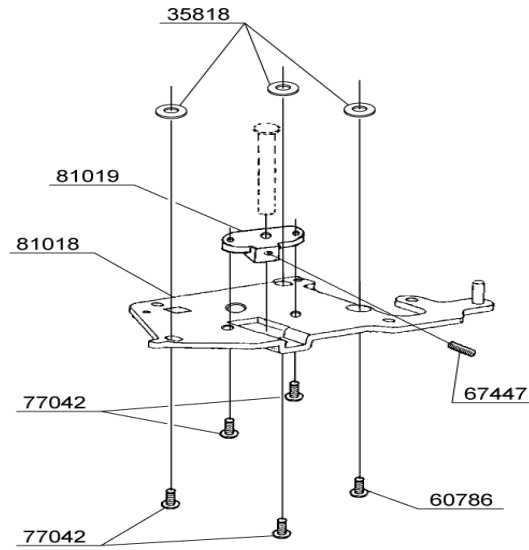
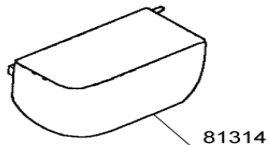
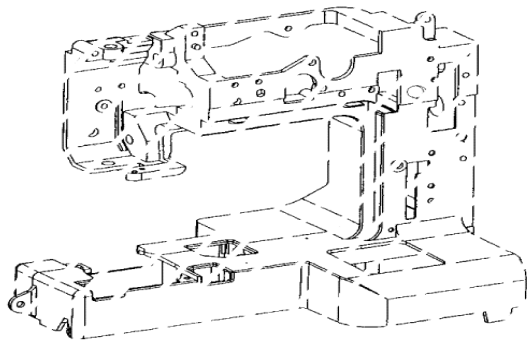
FIRST DIGIT OF THE SERIAL
NUMBER MUST MATCH WITH
THE LAST DIGIT OF THE FACTOR
MODEL ABOVE.



FIRST DIGIT

From the library of: Diamond Needle Corp

BUYER'S MODEL NO.	118	SECTION	PAGE	REVISION	REMARKS	PART #	DESCRIPTION
BUYER'S MODEL NAME			2			35818	WASHER
FACTORY MODEL	CA11860,CE118S0					60786	M4 SCREW
ORIGINAL ISSUE	March, 2004					67447	M5 SCREW
						77042	M4 PHILLIPS SCREW
						81018	SHUTTLE SHAFT PLATE
						81019	SHUTTLE SHAFT BASE
						81314	EXTENSION TABLE



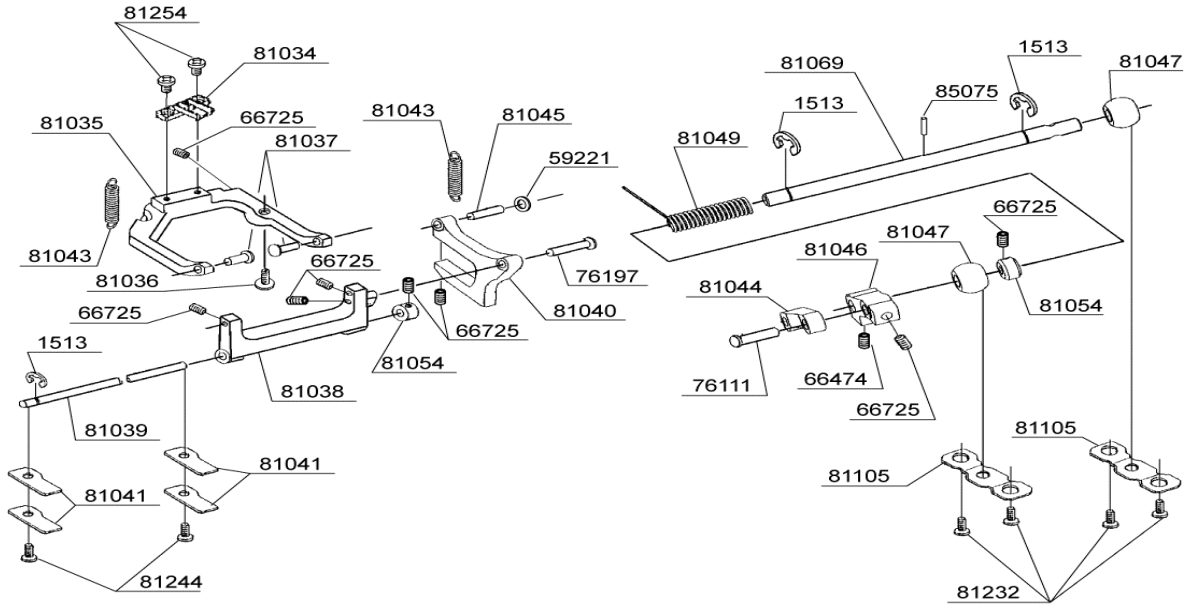
From the library of: Diamond Needle Corp

BUYER'S MODEL NO.	118	SECTION	PAGE	REVISION	REMARKS	PART #	DESCRIPTION
BUYER'S MODEL NAME			4			1513	E4 CLIP-ON-WASHER
FACTORY MODEL	CA11860,CE118S0					1520	E3 CLIP-ON-WASHER
ORIGINAL ISSUE	March, 2004		SERIAL NO.			39817	SCREW
						61222	M4 PHILLIPS SCREW
						64653	M3 SCREW
						66725	M3 SCREW
						67232	NEEDLE
						77042	M4 PHILLIPS SCREW
						80046	EXTENSION SPRING
						81004	SUPPORT BUSH
						81005	SUPPORT FIXING PLATE
						81006	COLLAR
						81007	STOPPER
						81010	PIN
						81011	SUPPORT CONNECTION PLATE
						81012	SUPPORT CONNECTION SHAFT
						81055	NEEDLE BAR
						81056	NEEDLE CLAMP
						81058	NEEDLE BAR CLAMP
						81061	NEEDLE BAR SUPPORT
						81074	COMPRESSION SPRING
						81075	THREADER SHAFT SET
						81087	LEVER
81142	LIMITING PLATE						
81144	BOBBIN WINDER COMPLETE						
81145	RATCHET						
81162	SUPPORT SHAFT						
81191	EXTENSION SPRING						
81192	THREADER ASSEMBLY						
81215	TORSION SPRING						
81216	NEEDLE CLAMP SCREW						
81234	M3.5 HEX SCREW						
81253	COLLAR						
85061	PIN						
85075	PIN						

From the library of: Diamond Needle Corp

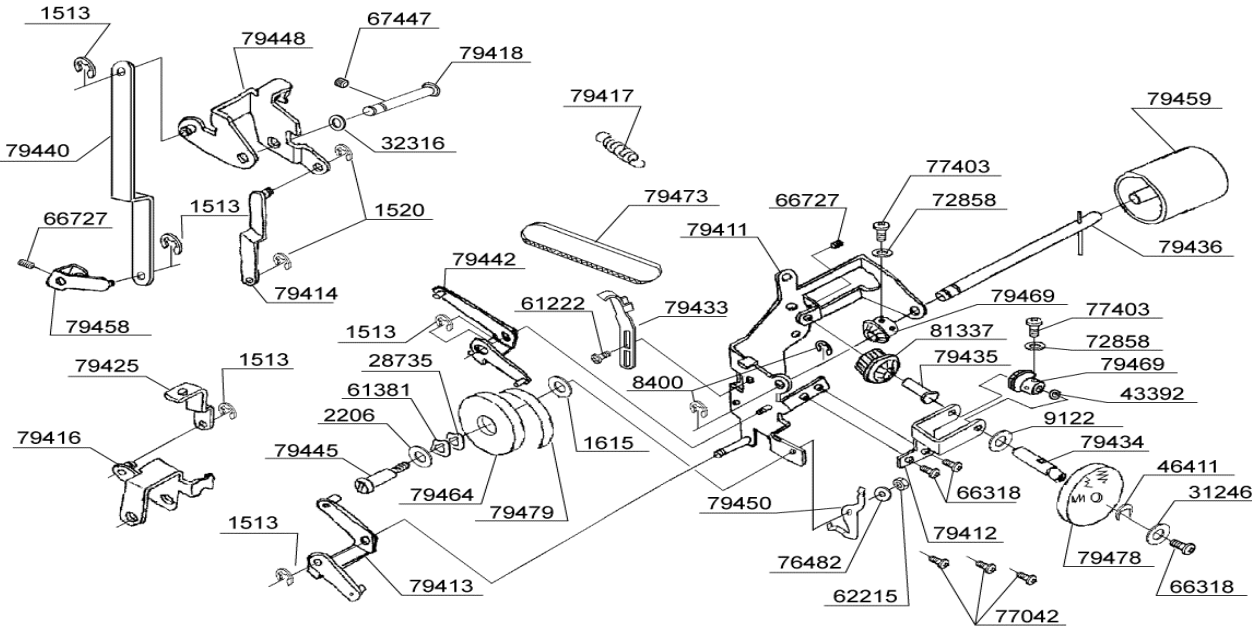
BUYER'S MODEL NO.	118	SECTION	PAGE	REVISION	REMARKS	PART #	DESCRIPTION
BUYER'S MODEL NAME			7			10963	E6 CLIP-ON-WASHER
FACTORY MODEL	CA11860,CE118S0					43393	WASHER
ORIGINAL ISSUE	March, 2004	SERIAL NO.				56858	M2 PHILLIPS SCREW
						61221	M4 PHILLIPS SCREW
						64637	WASHER
						66725	M4 SCREW
						67251	M3.5 SCREW
						67444	COLLAR
						67447	M5 SCREW
						76281	BOBBIN
						81014	SHUTTLE RACE
						81015	WASHER
						81016	SHUTTLE RACE SHAFT
						81017	BOBBIN CASE
						81025	BOBBIN CASE STOPPER
						81026	SPRING PLATE
						81027	BOBBIN CASE LIMITING PLATE
						81028	BALL BUSHING
						81029	BEVEL GEAR
						81030	FEED-DOG LIFTING CAM
						81031	LOWER SHAFT BELT GEAR
						81068	LOWER SHAFT
						81105	SECURING PLATE
81125	WASHER						
81185	FEED-DOG FEEDING CAM						
81232	SCREW						
85075	KNOCK PIN						

From the library of: Diamond Needle Corp

BUYER'S MODEL NO.	118	SECTION	PAGE	REVISION	REMARKS	PART #	DESCRIPTION
BUYER'S MODEL NAME			8			1513	E4 CLIP-ON-WASHER
FACTORY MODEL	CA11860,CE118S0					59221	WASHER
ORIGINAL ISSUE	March, 2004	SERIAL NO.				66474	M5 SCREW
						66725	M4 SCREW
						76111	HEADED PIN
						76197	HEADED PIN
						81034	FEED DOGS
						81035	FEED DOG BASE
						81036	ADJUSTING SCREW
						81037	SHAFT
						81038	FEED REGULATING BRACKET
						81039	FEED REGULATING SHAFT
						81040	FEED REGULATING ARM
						81041	FIXING PLATE
						81043	SPRING
						81044	FEED REGULATING LINK L.
						81045	PIN
						81046	FEED REGULATING LINK R.
						81047	BALL BUSHING
						81049	TORSION SPRING
						81054	COLLAR
						81069	HORIZONTAL FEED SHAFT
						81105	SECURING PLATE
81232	SCREW						
81244	SCREW						
81254	SCREW						
85075	KNOCK PIN						

From the library of: Diamond Needle Corp

BUYER'S MODEL NO.	118	SECTION	PAGE	REVISION	REMARKS	PART #	DESCRIPTION
BUYER'S MODEL NAME			9			1513	E4 CLIP-ON-WASHER
FACTORY MODEL	CA11860,CE118S0					1520	E3 CLIP-ON-WASHER
ORIGINAL ISSUE	March, 2004	SERIAL NO.				1615	WASHER

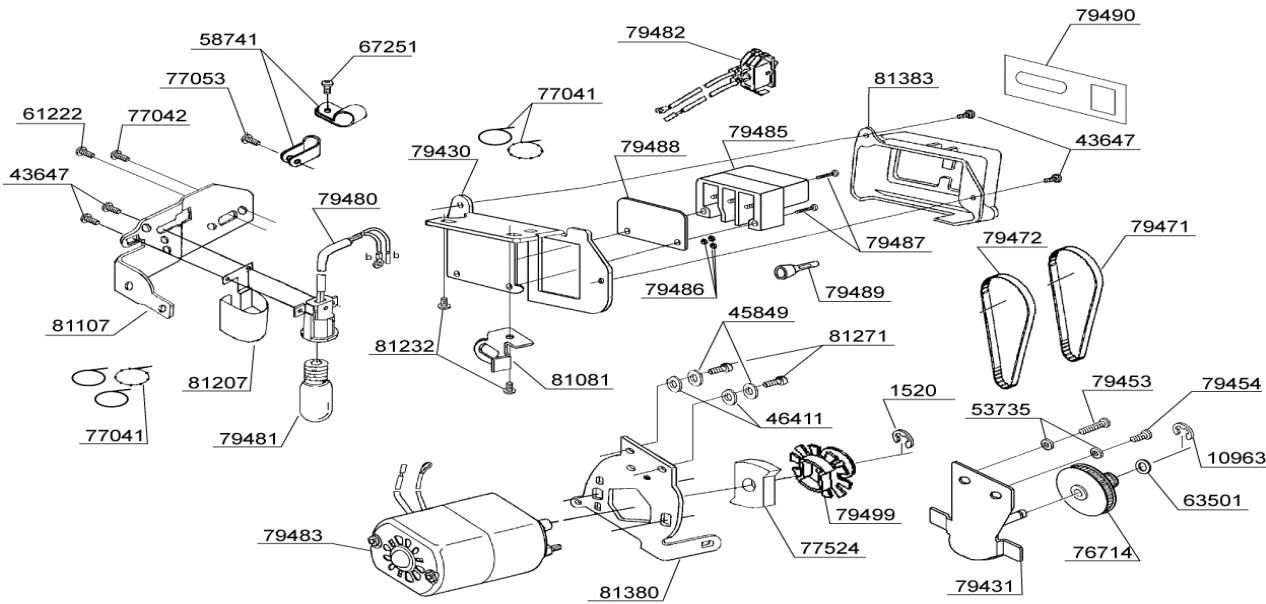


1513	E4 CLIP-ON-WASHER
1520	E3 CLIP-ON-WASHER
1615	WASHER
2206	WASHER
8400	E5 CLIP-ON-WASHER
9122	WASHER
28735	CRINKLE WASHER
31246	WASHER
32316	WASHER
43392	WASHER
46411	SPRING WASHER
61222	M4 PHILLIPS SCREW
61381	CRINKLE WASHER
62215	M4 NUT
66318	M4 SCREW
66727	HEX SCREW
67447	M5 SCREW
72858	WASHER
76482	WASHER
77042	M4 PHILLIPS SCREW
77403	SCREW
79411	SELECTOR CAM BASE
79412	PATTERN INDICATOR SUPPORT
79413	FEED LEVER
79414	OPERATING ARM A
79416	OPERATING ARM B
79417	SPRING
79418	SHAFT
79425	OPERATING PLATE
79433	BELT ADJUSTMENT PLATE
79434	SHAFT
79435	GEAR SHAFT
79436	SHAFT
79440	HORIZONTAL SHAFT LINK PLATE
79442	SUPER CHANGE LEVER
79445	M4 SHOULDER SCREW
79448	OPERATING ARM A ASSY
79450	NOTCHED SPRING
79458	OPERATING ARM
79459	PATTERN SELECTING DIAL
79464	DIAL INDICATOR
79469	BEVEL GEAR
79473	BELT
79478	PATTERN DISK
79479	SEAL
81337	BEVEL GEAR

From the library of: Diamond Needle Corp

BUYER'S MODEL NO.	118	SECTION	PAGE	REVISION	REMARKS	PART #	DESCRIPTION
BUYER'S MODEL NAME			12			1520	E3 CLIP-ON-WASHER
FACTORY MODEL	CA11860					10963	E6 CLIP-ON-WASHER
ORIGINAL ISSUE	March, 2004	SERIAL NO.				43647	M3 SCREW

120V



1520	E3 CLIP-ON-WASHER
10963	E6 CLIP-ON-WASHER
43647	M3 SCREW
45849	WASHER
46411	WASHER
53735	WASHER
58741	CORD GUARD
61222	M4 PHILLIPS SCREW
63501	WASHER
67251	SCREW
76714	PULLEY
77041	UNITY FASTENER
77042	M4 PHILLIPS SCREW
77053	M3 SCREW
77524	GEAR CLUTCH
79430	TERMINAL BLOCK BRACKET
79431	INTERMEDIATE GEAR PLATE
79453	M4 CP BOLT
79454	M4 CP BOLT
79471	BELT
79472	BELT
79480	LAMP CORD UNIT
79481	LIGHT BULB
79482	SWITCH ASSEMBLY
79483	MOTOR (120V)
79485	TERMINAL BLOCK
79486	M3 NUT
79487	M3 BINDING SCREW
79488	INSULATION PLATE
79489	CONNECTOR
79490	PLATE
79499	MOTOR PULLEY
81081	BELT GUIDE PLATE
81107	LAMP PLATE
81207	BULB COVER
81232	SCREW
81271	CP BOLT
81380	MOTOR SUPPORT
81383	TERMINAL COVER

From the library of: Diamond Needle Corp

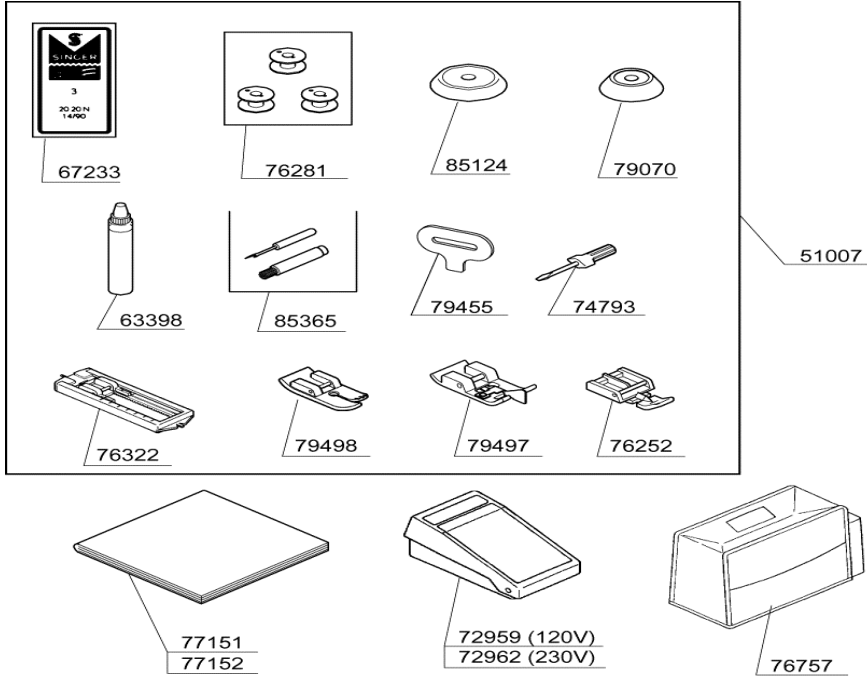
BUYER'S MODEL NO.	118	SECTION	PAGE	REVISION	REMARKS	PART #	DESCRIPTION
BUYER'S MODEL NAME			13			1520	E3 CLIP-ON-WASHER
FACTORY MODEL	CE118S0					10963	E6 CLIP-ON-WASHER
ORIGINAL ISSUE	March, 2004		SERIAL NO.			43647	M3 SCREW
<div style="border: 1px solid black; padding: 5px; width: fit-content; margin-bottom: 10px;">230V</div>						45849	WASHER
						46411	WASHER
						53735	WASHER
						54350	SEAL
						58741	CORD GUARD
						61222	M4 PHILLIPS SCREW
						63501	WASHER
						67251	SCREW
						72924	LAMP HOLDER BRACKET
						72925	CAP BOLT
						72935	LIGHT BULB
						72988	M4 BOLT WITH WASHER
						73900	SCREW
						74358	WASHER
						76714	PULLEY
						77041	UNITY FASTENER
						77042	M4 PHILLIPS SCREW
						77053	M3 SCREW
						77524	GEAR CLUTCH
						79430	TERMINAL BLOCK BRACKET
						79431	INTERMEDIATE GEAR PLATE
						79453	M4 CP BOLT
						79454	M4 CP BOLT
						79471	BELT
						79472	BELT
						79482	SWITCH ASSEMBLY
						79485	TERMINAL BLOCK
79486	M3 NUT						
79487	M3 BINDING SCREW						
79488	INSULATION PLATE						
79489	CONNECTOR						
79490	PLATE						
79492	MOTOR (230V)						
79494	REFLECTING PLATE						
79499	MOTOR PULLEY						
79502	BRACKET						
79503	LAMP PLATE						
79504	LAMP CPRD						
81081	BELT GUIDE PLATE						
81232	SCREW						
81271	CP BOLT						
81380	MOTOR SUPPORT						
81383	TERMINAL COVER						

From the library of: Diamond Needle Corp

BUYER'S MODEL NO.	118	SECTION	PAGE	REVISION	REMARKS	PART #	DESCRIPTION
BUYER'S MODEL NAME			14			1424	WASHER
FACTORY MODEL	CA11860,CE118S0						1520
ORIGINAL ISSUE	March, 2004		SERIAL NO.			63271	NUT
						68891	WASHER
						73299	M4 TORQUE NUT
						77042	M4 PHILLIPS SCREW
						79444	COVER FIXING PLATE
						79462	INDICATOR WINDOW
						79470	COVER FIXING PLATE
						79476	CONTROL PANEL
						81073	WASHER
						81128	SPRING
						81129	M4 SCREW
						81131	SHAFT
						81159	TENSION DISC BASE B
						81160	SCREW
						81174	BOBBIN WINDER LATCH
						81178	REFLECTING SHEET
						81180	DISC
						81203	SPRING
						81211	CUSHION
						81238	M3.5 PHILLIPS SCREW
						81241	M3 PHILLIPS SCREW
81242	M3.5 PHILLIPS SCREW						
81243	M3.5 SCREW						
81272	TENSION DISC BASE A						
81352	FACE COVER						

From the library of: Diamond Needle Corp

BUYER'S MODEL NO.	118	SECTION	PAGE	REVISION	REMARKS	PART #	DESCRIPTION
BUYER'S MODEL NAME			16			51007	ACCESSORY SET
FACTORY MODEL	CA11860,CE118S0					63398	SEWING MACHINE OIL
ORIGINAL ISSUE	March, 2004					67233	NEEDLE SET (3 PCS)
						72959	FOOT CONTROL (120V)
						74793	SMALL SCREW DRIVER
						76252	ZIPPER FOOT
						76281	BOBBIN
						76322	BUTTONHOLE FOOT
						76757	DUST COVER
						77151	INSTRUCTION BOOK (Eng/Esp/Fra)
						79070	SPOOL PIN CAP
						79455	LARGE SCREW DRIVER
						79497	OVERCASTING FOOT
						79498	STRAIGHT STITCH FOOT
						85124	SPOOL PIN CAP
						85365	BUTTONHOLE OPENER / BRUSH
						77152	INSTRUCTION BOOK (Eng/Ita/Ger)
						72962	FOOT CONTROL (230V)



From the library of: Diamond Needle Corp